



**220 V, 230 V**

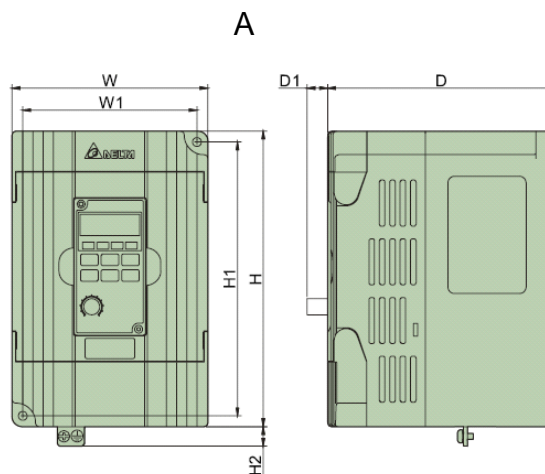
**0.4 kW-2.2 kW**

**AESLV500- Single phase compact inverter with vector control for general application**

**General Brochure**

### Main features

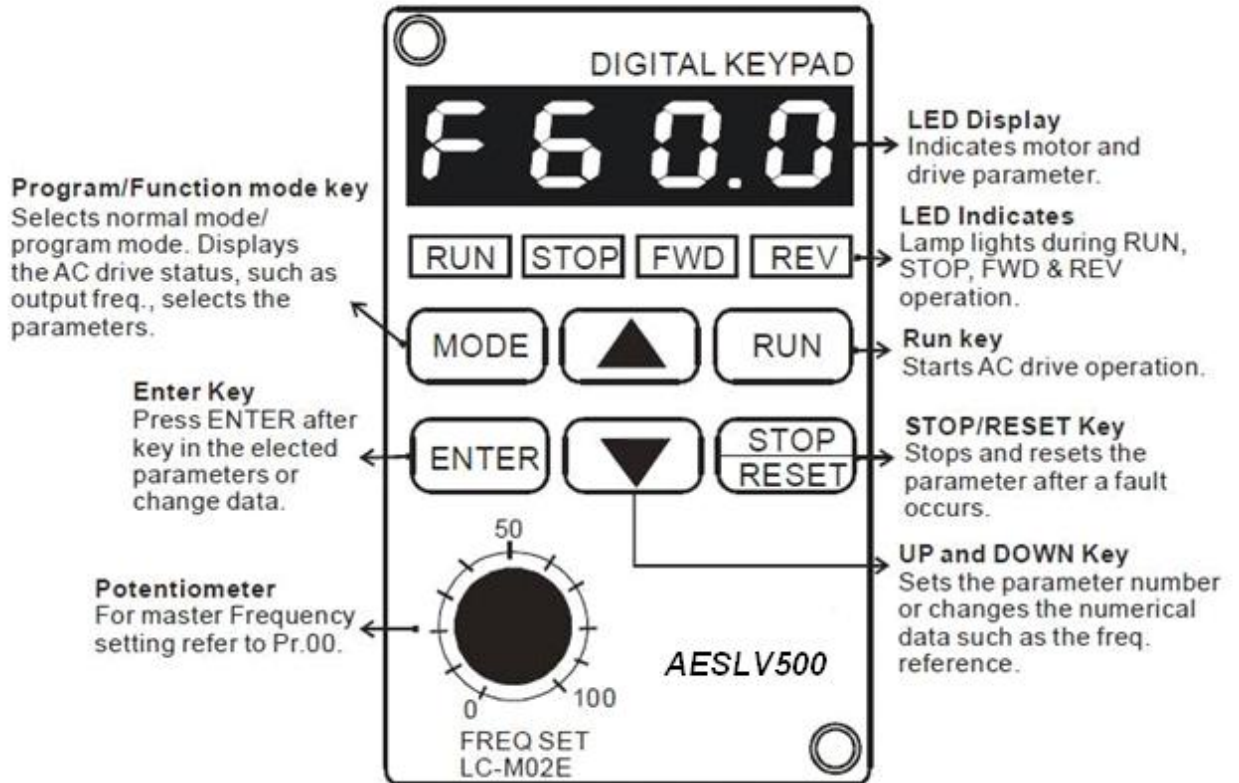
1. 16-bit microprocessor controlled PWM output
2. Automatic torque boost & slip compensation
3. Output frequency 0.1~400Hz
4. 8-step speed control & 7-step process control
5. Low-noise carrier frequency up to 15kHz
6. 2 accel./decel. times & S-curve
7. Process follower 0-10VDC, 4~20mA
8. Communication interface RS-485 (Baud rate 38400)
9. Energy saving & automatic voltage regulation
10. Adjustable V/F curve & Simple vector control
11. Automatic adjustment of accel./decel. Times
12. PID feedback control
13. Simple position function
14. 0 Speed Holding function
15. Sleep I Revival function build-in



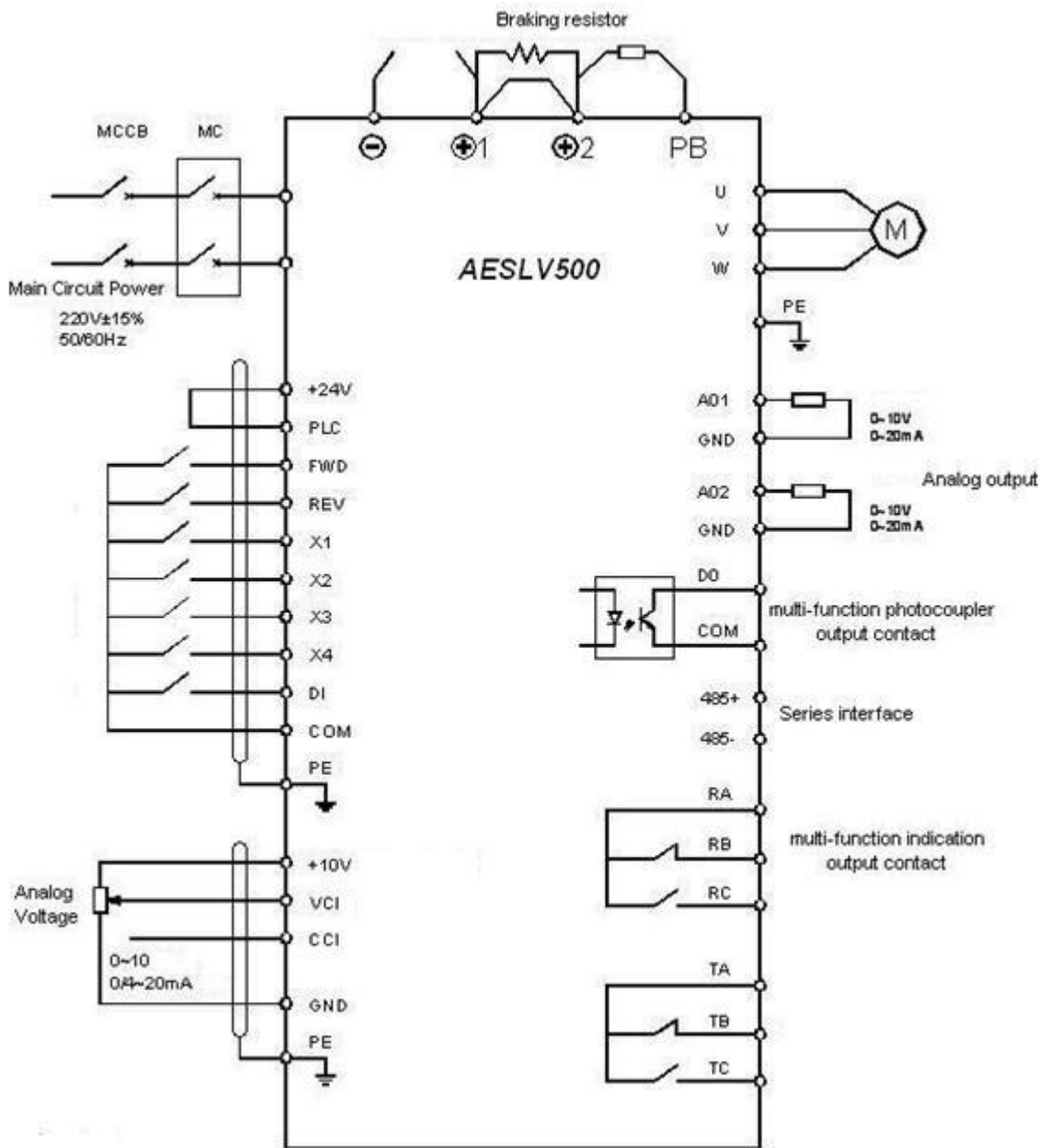
### Dimensions

Model No	Weight (kg)	W	W1	H	H1	D	D1	Fan	Fig
AESL500-A-000.4-T0022	1.3	85	74	153	130.5	113	11	Yes	A
AESL500-A-000.75-T022	1.3	85	74	153	130.5	113	11	Yes	A
AESL500-A-001.5-T0022	1.4	85	74	153	130.5	113	11	Yes	A
AESL500-A-002.2-T0022	3.5	100	89	164	140	113	10.5	Yes	A

## Keypad



## Wiring Diagram



## Specification

/O Features	Voltage Tolerance	220~230 V±10% single phase
	Input Frequency Range	47~63Hz
	Output Voltage Range	0~rated Input voltage
	Output Frequency Range	0~400Hz
	Output Power	0.4KW-2.2KW
Control characteristics	Control System	SPWM (Sinusoidal Pulse Width Modulation)control (V/F or sensorless vector control)
	Freq. Setting Resolution	0.1Hz
	Output Frequency Resolution	0.1Hz
	Torque Characteristics	Including the auto-torque, auto-slip compensation; starting torque can be 150% at 5.0Hz
	Overload Endurance	150% of rated current for 1 minute
	Skip Frequency	Three zones, settings range 0.1-400Hz
	Accel/Decel Time	0.1 to 600 seconds (2 independent settings for Accel/Decel Time)
	Stall Prevention Level Frequency Setting	20%-200%, Setting of Rated Current
	DC Injection Braking	Operation frequency 0-60Hz, output 0-100% rated current Start time 0-5 seconds, stop time 0-25 seconds
	Braking Torque	Approx. 20% (up to 125% possible with option braking resistor or braking unit externally mounted)
	V/F Pattern	Adjustable V/F pattern
Frequency Setting	Keypad	Keypad®®
	External Signal	Potentiometer-5KQ/0.5W, 0 to +10VDC; 4 to 20mA, RS-485 interface; Multi-Function Inputs 0 to 5 (7 steps. Jog, up/down)
Operation Setting Signal	Keypad	Set by RUN, STOP
	External Signal	2 wires / 3 wires (Run, Stop, Forward / Rev, ), JOG operation, RS-485 serial interface (MODBUS)
Operating characteristics	Multi-Function Input Signal	Multi-step selection 0 to 7, Jog. accel/decel inhibit, first to forth accel/decel switches, counter,
		PLC operation, external Base Block (NC, NO), auxiliary motor control is invalid, ACI/AVI
		selections, drive reset. UP/DOWN key settings, sink/source selection
	Multi-Function Output Indication	AC Drive Operating, Frequency Attained, Non-zero, Base Block, Fault Indication,
		Local/Remote indication. PLC Operation indication. Auxiliary Motor Output, Driver is Ready, Overheat, Alarm, Emergency Stop
Analog Output Signal	Analog frequency/current signal output.	
Alarm Output Contact	1Form C contact or open collector output.	



Operation Functions	AVR. S-Curve. Over-Voltage. Over-Current Stall Prevention, Fault Records. Adjustable Carrier	
	Frequency, DC Braking, Momentary Power Loss restart, Auto Tuning, Frequency Limits,	
	Parameter Lock/Reset, Vector Control, Counter. PID Control, PLC, MODBUS Communication, Reverse Inhibition, abnormal reset,	
	abnormal re-start, digital frequency output, sleep/revival function, 1 st/2nd frequency source selections	
Protective Functions	Self-testing, Over Voltage, Over Current, Under Voltage, Overload,	
	Overheating, ExternalFault, Electronic thermal, Ground Fault.	
Display Keypads	6-key. 4-digit. 7-segment LED. 4 status LEDs, master frequency, output frequency.	
	Output current, custom units, parameter values for setup, review and faults,RUN, STOP, RESET, FWD/REV	
Environment conditions	Protection Level	IP20
	Pollution Degree	2
	Installation Location	Altitude 1,000m or less, keep from corrosive gas. liquid and dust
	Ambient Temperature	.-10°C to 40°C (-10°C to 50°C without blind plate) Non-Condensing and not frozen
	Storage / Transportation Temperature	-20°C to 60°C
	Ambient Humidity	Below 90% RH (non-condensing )
	Vibration	9.80665 <sup>TM</sup> (1G) less than 20Hz. 5.88m/s <sup>2</sup> (0.6G) at 20 to 50Hz