



380 V, 400 V

0.75 kW-630 kW

AESLV610- High Performance SVC Frequency Inverter

General Brochure

Main features

1. Compact size and less weight.
2. Combined module for 15kw or below with high reliability.
3. Reasonable layout with less interference and better ventilation.
4. Combined module with perfect reliability.
5. 3 control modes available: VF control, sensorless vector control, torque control.
6. High start torque: 0.5Hz, 180%(vector control)
7. 16 steps speed control, simple PLC function, PID function.
8. 7 digital inputs(including 1 pulse input), 2 analog input and 2 analog output, 2 relay output, 1 open-collector output.
9. Automatic output voltage regulation(AVR)
10. RS 485 interface(Modbus RTU communication protocol)
11. Oscillation suppression function.
12. Non-stop at momentary power failure.
13. Speed-tracing function.
14. 20 kinds of fault protection.
15. Output 0-650Hz
16. Droop function
17. Energy saving control mode.

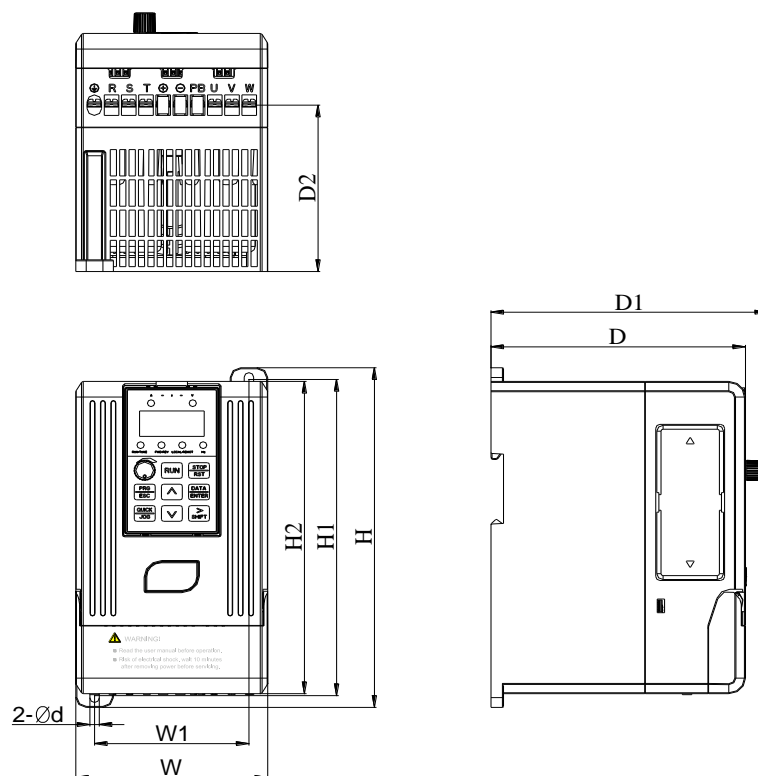


Fig.1

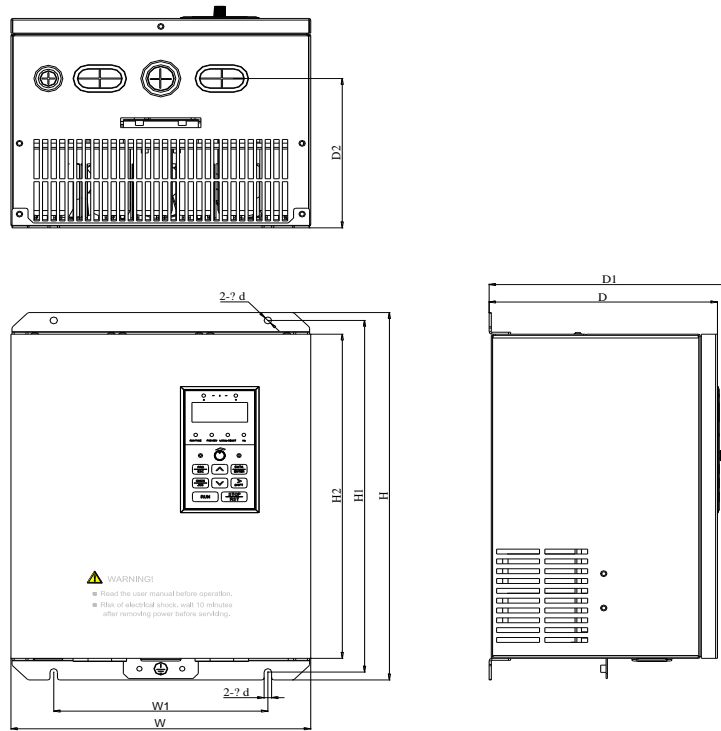


Fig. 2

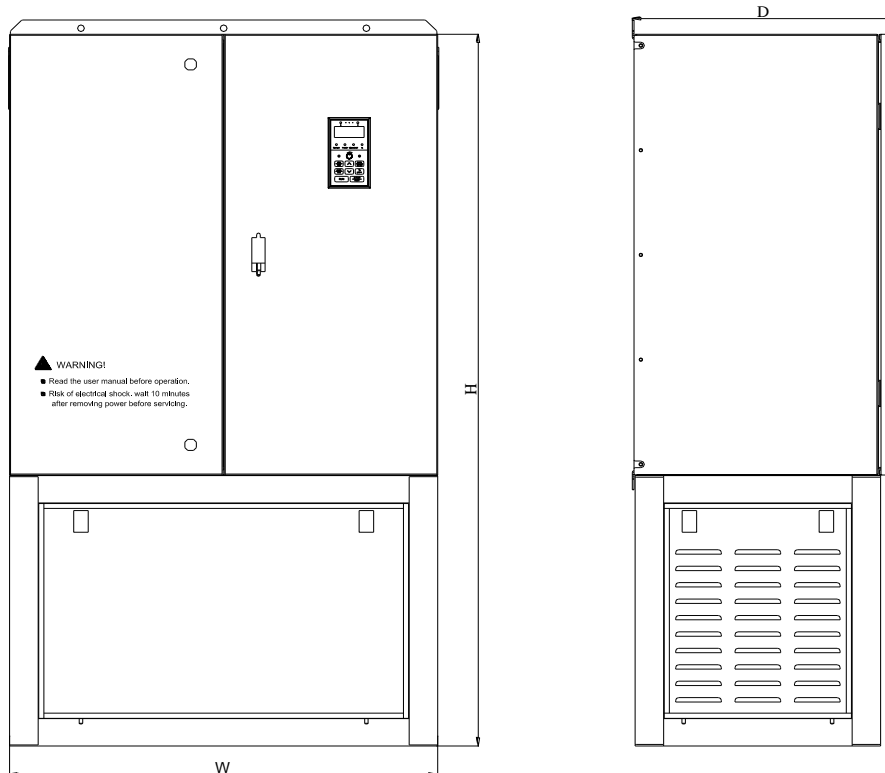


Fig. 3

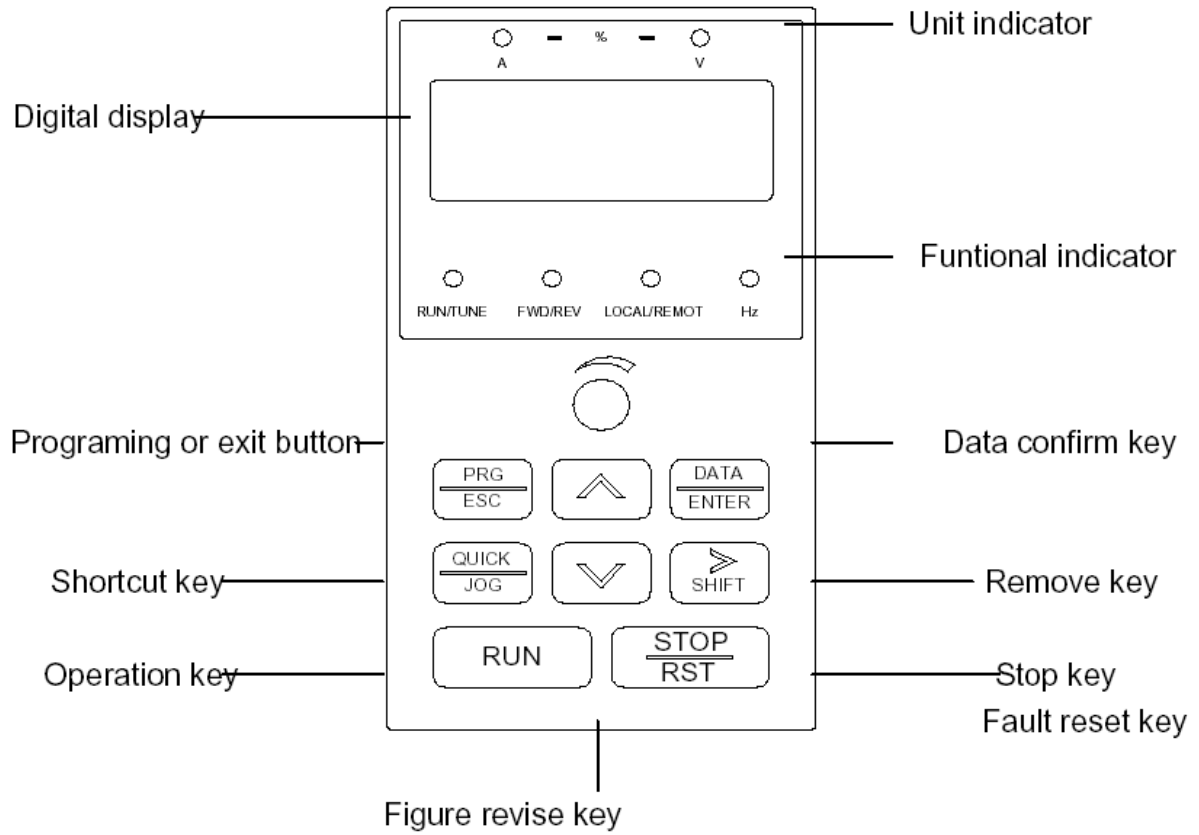
Dimensions

Model no.	W	W1	H	H1	H2	D	D1	D2	d	Fig
AESLV610-A-000.75-T004	92	74	174	162	160	122	132	85	4.5	1
AESLV610-A-001.5/002.2-T004										
AESLV610-A-002.2/003.7-T004										
AESLV610-A-004/005.5-T004	135	110	265	255	240	155	165	123	7	2
AESLV610-A-005.5/007.5-T004										
AESLV610-A-007.5/011-T004M	200	140	345	330	300	190	205	110	7	2
AESLV610-A-011/015-T004										
AESLV610-A-015/018-T004										
AESLV610-A-018/022-T004	280	200	375	360	330	210	225	150	7	2
AESLV610-A-022/030-T004										
AESLV610-A-030/037-T004										
AESLV610-A-037/045-T004	340	200	530	510	480	240	255	190	10	2
AESLV610-A-045/055-T004										
AESLV610-A-055/075-T004										
AESLV610-A-075/090-T004	400	240	610	590	550	280	295	230	12	2
AESLV610-A-090/110-T004										
AESLV610-A-110/132-T004										
AESLV610-A-132/160-T004	500	400	770	740	700	345	360	210	12	2
AESLV610-A-160/185-T004										
AESLV610-A-185/200-T004										
AESLV610-A-200/220-T004										
AESLV610-A-132/160-T004C	Cabinet : 1000*500*360									3
AESLV610-A-160/185-T004C										
AESLV610-A-185/200-T004C										
AESLV610-A-200/220-T004C										
AESLV610-A-220/250-T004	750	500	860	830	805	450	465	260	12	2
AESLV610-A-250/280-T004										
AESLV610-A-280/315-T004										

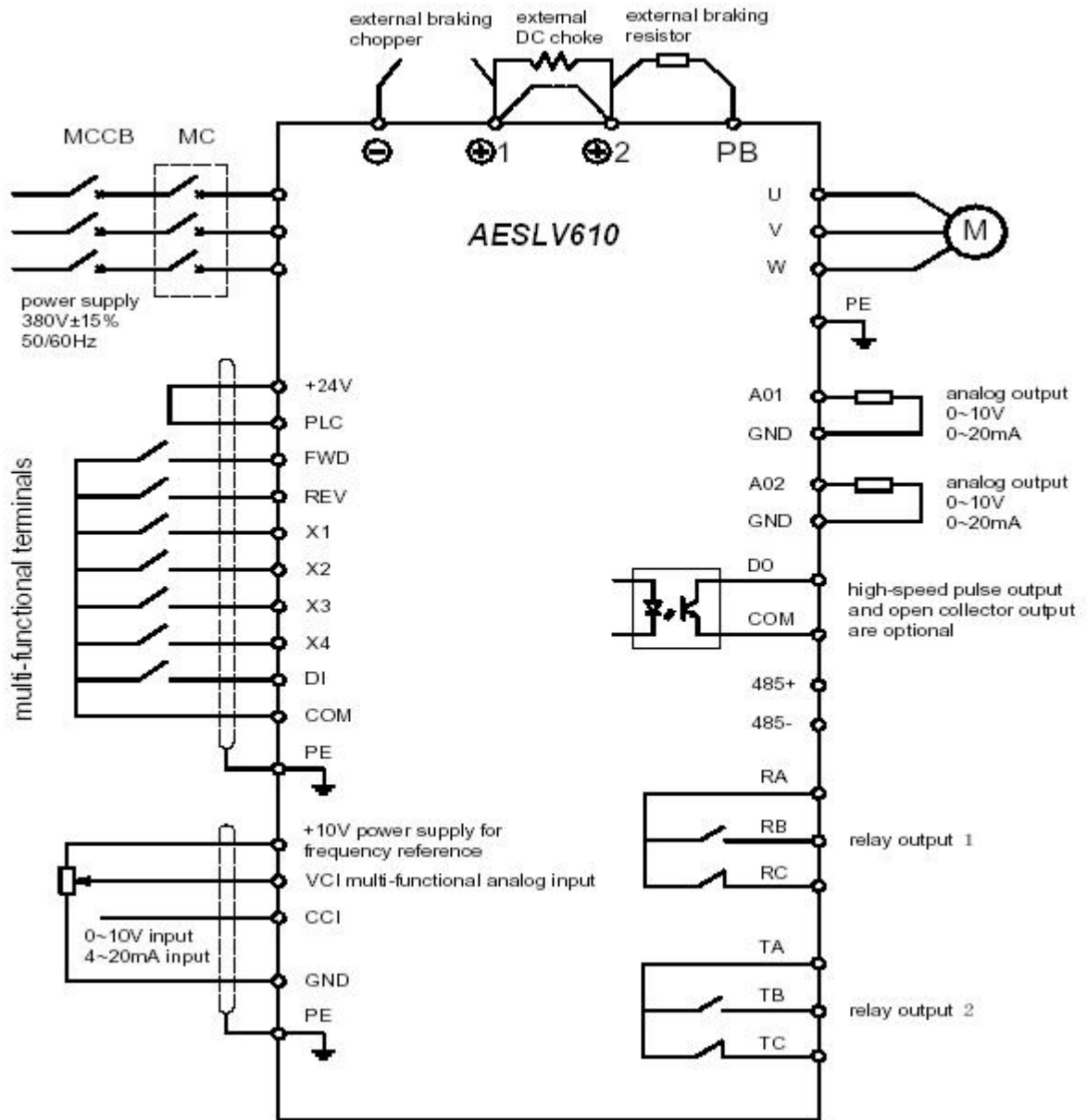


AESLV610-A-315/350-T004											
AESLV610-A-220/250-T004C	Cabinet : 1300*750*465										3
AESLV610-A-250/280-T004C											
AESLV610-A-280/315-T004C											
AESLV610-A-315350-T004C											
AESLV610-A-350/400-T004											
AESLV610-A-400/455-T004	950	800	1000	970	950	500	515	315	13	2	
AESLV610-A-455/500-T004											
AESLV610-A-500/560-T004											
AESLV610-A-350/400-T004C											
AESLV610-A-400/455-T004C	Cabinet: 1500*950*515										3
AESLV610-A-455/500-T004C											
AESLV610-A-500/560-T004C											
AESLV610-A-560/630-T004											
AESLV610-A-630	1050	900	1040	1010	990	500	515	315	13	2	
AESLV610-A-560/630-T004C											
AESLV610-A-630-T004C	Cabinet: 1600*1050*515										3

Keypad



Wiring Diagram



Specification

Features	Voltage Tolerance	380V±15% 3 phase
	Input Frequency Range	47~63Hz
	Output Voltage Range	0~rated Input voltage
	Output Frequency Range	0~650Hz
	Output Power	0.75KW-630KW
Control functions	Control Mode	V/F control, sensorless vector control (SVC)
	Speed Adjusting	1:100 (SVC)
	Overload Capacity	150% of rated current for 1 minute, 180% rate current 10 s.
	Frequency reference source	Keypad, analog input, DI, serial communication, multi-step speed, simple PLC and PID. The combination of multi-modes and the switch between different modes can be realized.
	Other functions	<ul style="list-style-type: none"> I Traverse Control Function I PID Control Function I Simple PLC, Multi-Steps Speed Control Function: 16 steps speed can be set. I None-Stop when instantaneous power off. I Speed Trace Function: Smoothly start the running motor. I Automatic Voltage Regulation Functin (AVR): I Up to 23 fault protections over current, over voltage, under voltage, over temperature, phase failure, overload etc.
I/O terminals	Input terminals	programmable DI: 7, 1 high speed pulse; programmable AI:2, VCI:-10V~10V, CCI2:0~10V or 0~20mA
	Output terminals	Programmable open collector output 1(open collector or high speed pulse output selectable), programmable relay output 2 programmable AI:2, 0/4~20mA or 0~10V selectable
	Communication terminals	RS485 communication interface is optional, adopt Modbus-RTU communication mode.
Man-machine Interface	LED Display	Can display setting frequency, output frequency, output voltage, output current etc.
	Multi-function Key-press	The QUICK/JOG key-press can be used as multi-function key-press.
Environment conditions	Altitude	≤1000M, output rated power >1000M, output power with derating
	Ambient Temperature	-10°C~+40°C. Inverter will be derated if ambient temperature exceeds 40°C.
	Ambient Humidity	Below 90% RH (non-condensing)
	Impingement and Oscillation	The inverter is prohibited to drop on the floor or with suddenly impact, it also prohibited to be installed at the place where the oscillation may occur very probably.
	Electromagnetic	The inverter is prohibited to be installed at the price where stronger electromagnetic radiation may