



380 V, 400 V, 415 V, 440 V

1.5 kW-630 kW

***AESLV800- Closed-loop vector control high-
performance inverter***

General Brochure

Main features

1. LCD keypad, English, Russian, French, German, Spanish and Chinese language available;
2. Four control mode for option: V/F control, V/F control with PG, vector control, vector control with PG;
3. Massive advanced functionalities available: energy saving control, speed control, slip compensation, torque compensation, moment control, zero-servo control, motor parameter autotuning, parameter copy;
4. High starting torque at low speed: in the mode of closed-loop control, the series inverter can realize 150% rated torque at the zero speed;
5. Speed control range: 1 : 1000;
6. Speed control accuracy is within $\pm 0.02\%$;
9. Automatic output voltage regulation(AVR)
7. Output frequency accuracy is within $\pm 0.01\%$;
8. Multi-function input/output terminals, multi-function analog input/output function and serial communication function make operation more convenient;
9. Perfect parameter online monitoring function, fault analysis function, protection and alarm function guarantee reliability of the inverter;
10. Inbuilt PID function;
11. 15KW or below model is equipped with inbuilt braking unit as standard; Sound fault protection function, guaranteeing the inverter's high performance and high reliability;

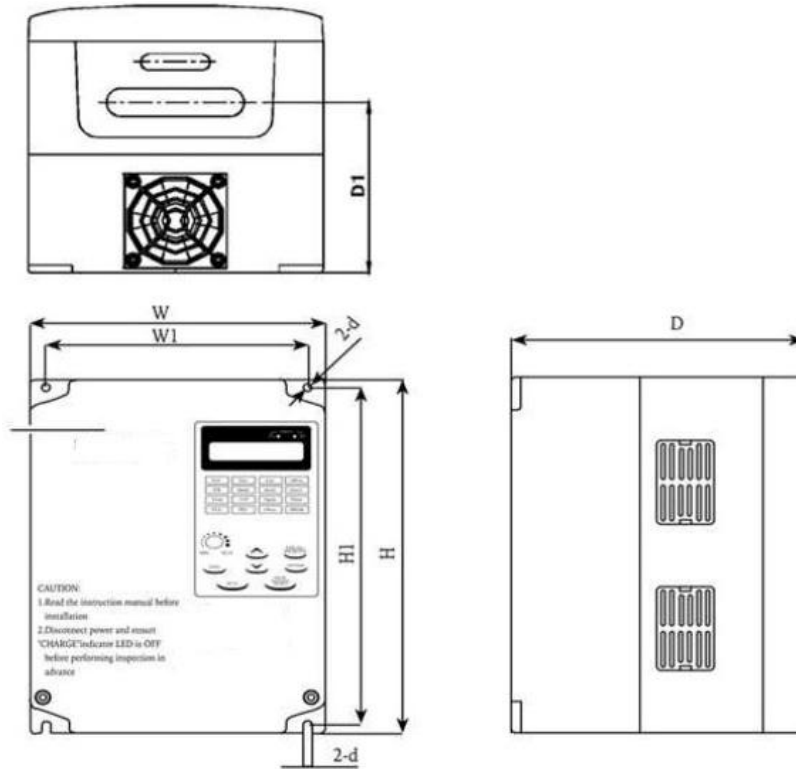


Fig.1

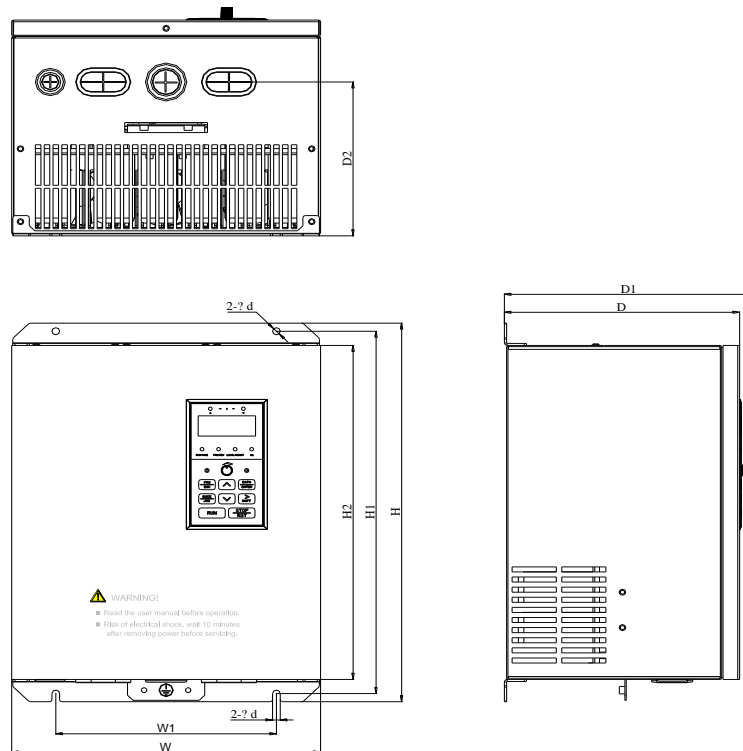


Fig. 2

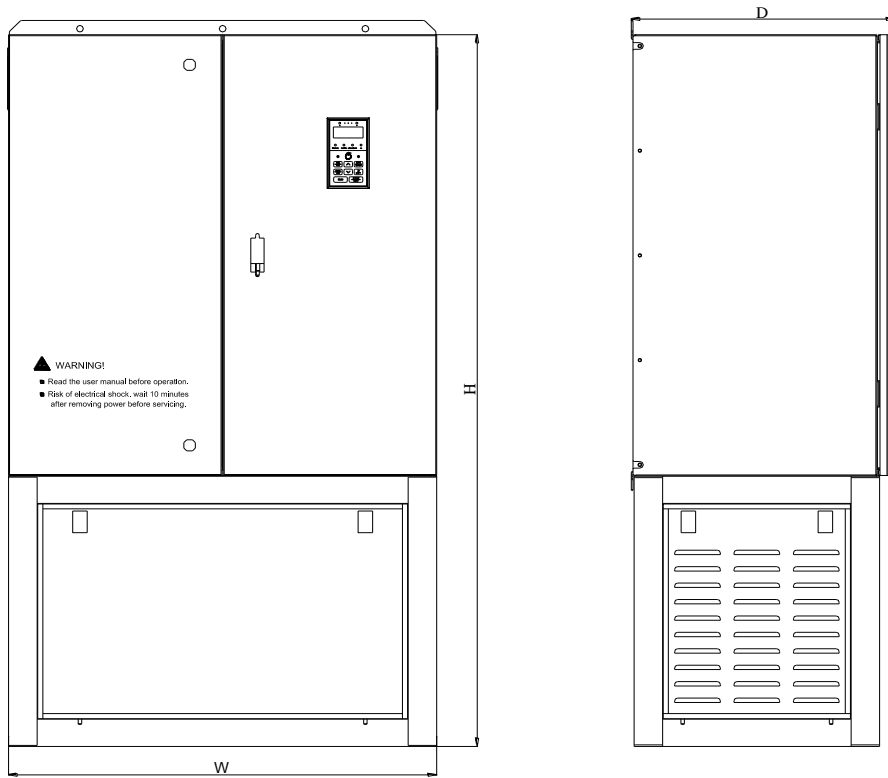


Fig. 3

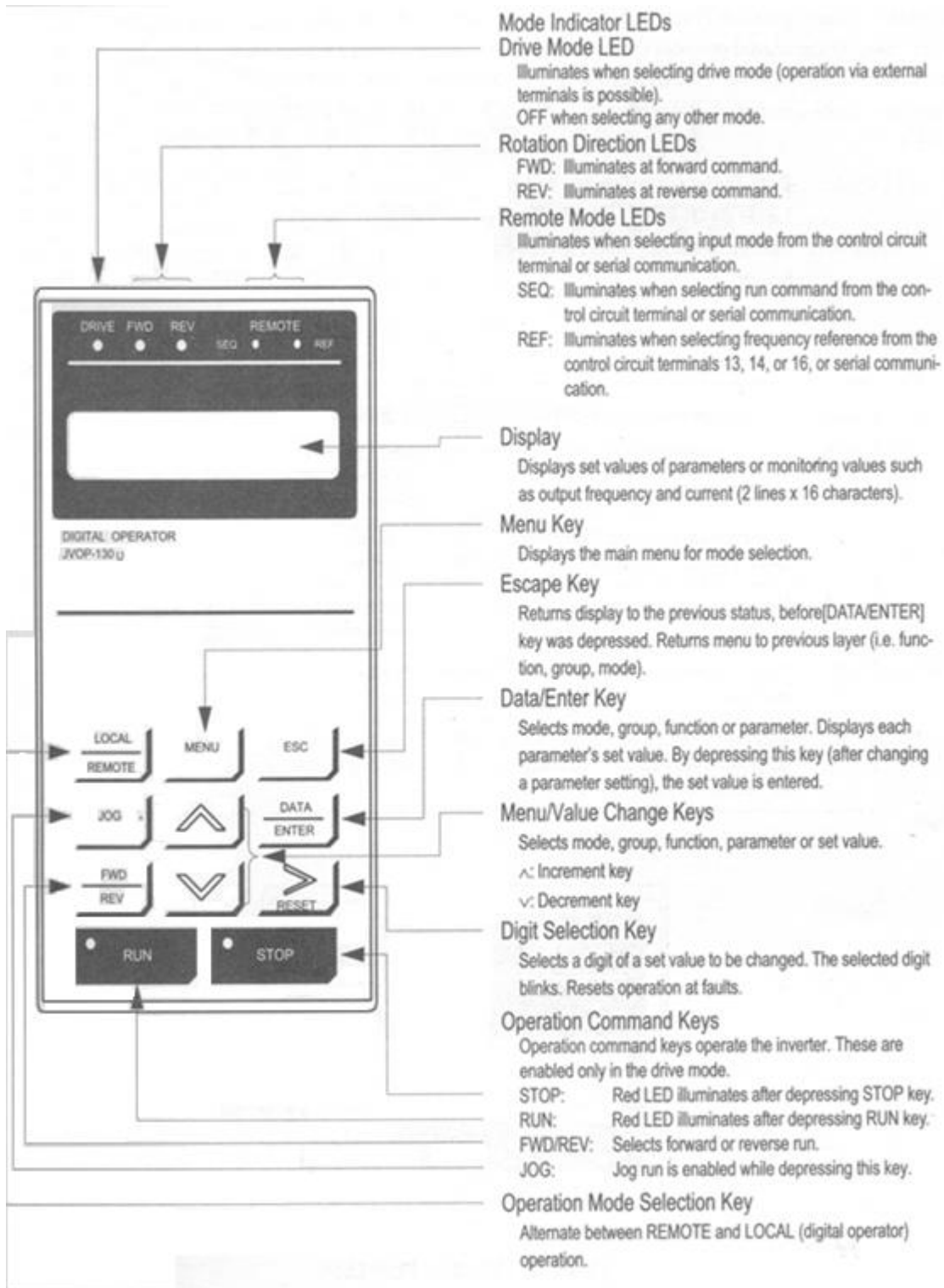
Dimensions

Model no.	W	W1	H	H1	H2	D	D1	D2	d	Fig
AESLV800-A-001.5-T004	139	114	278	262	—	181	125	—	6	1
AESLV800-A-002.2-T004										
AESLV800-A-004-T004										
AESLV800-A-005.5-T004	230	204	300	285	—	230	150	—	5.5	1
AESLV800-A-007.5-T004										
AESLV800-A-015-T004	200	140	345	330	300	190	205	110	7	2
AESLV800-A-018-T004	280	200	375	360	330	210	225	150	7	2
AESLV800-A-022-T004										
AESLV800-A-030-T004										
AESLV800-A-037-T004	340	200	530	510	480	240	255	190	10	2
AESLV800-A-045-T004										
AESLV800-A-055-T004										

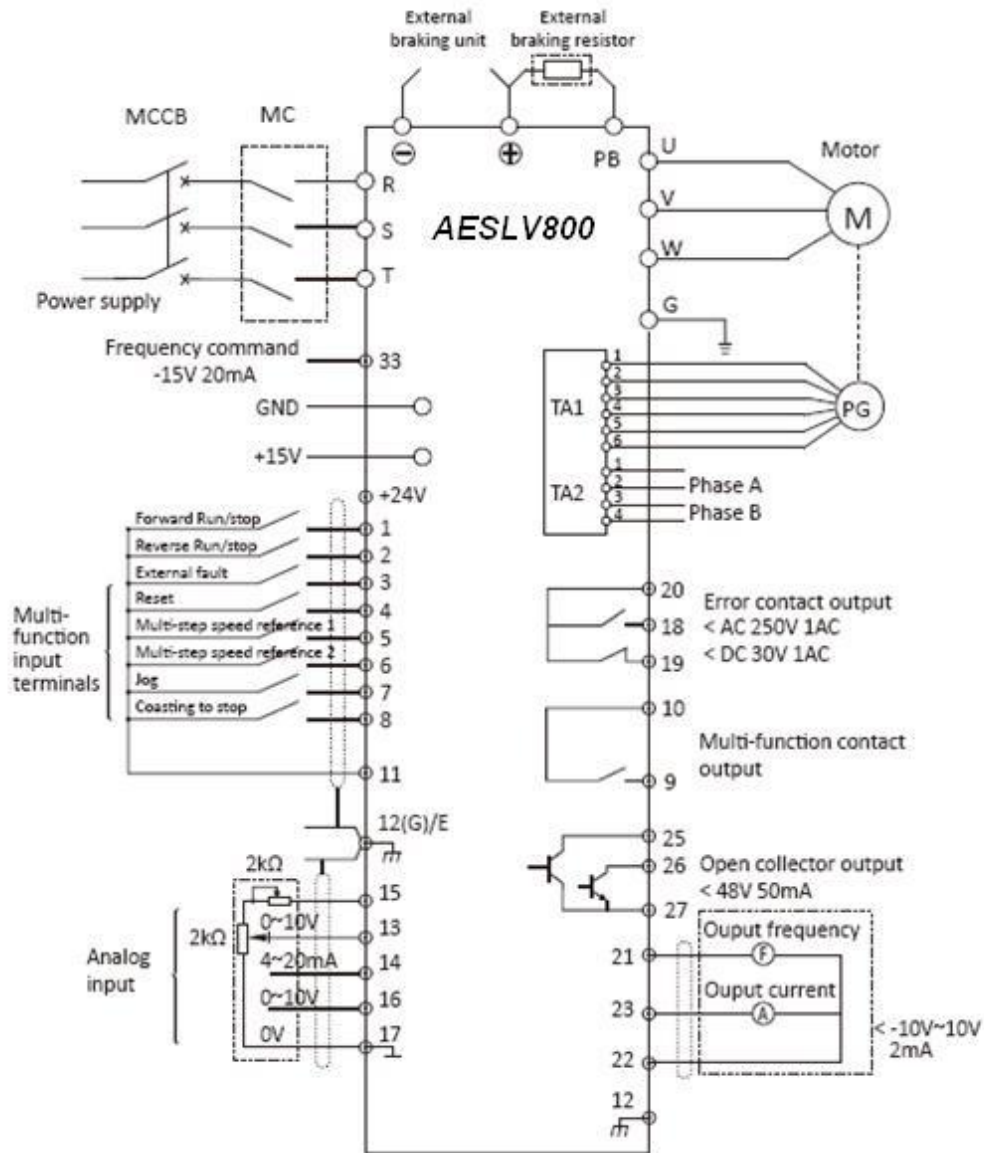


AESLV800-A-075-T004	400	240	610	590	550	280	295	230	12	2
AESLV800-A-090-T004										
AESLV800-A-110-T004										
AESLV800-A-132-T004	500	400	770	740	700	345	360	210	12	2
AESLV800-A-160-T004										
AESLV800-A-185-T004										
AESLV800-A-200-T004										
AESLV800-A-132-T004C	Cabinet : 1000*500*360									3
AESLV800-A-160-T004C										
AESLV800-A-185-T004C										
AESLV800-A-200-T004C										
AESLV800-A-220-T004	750	500	860	830	805	450	465	260	12	2
AESLV800-A-250-T004										
AESLV800-A-280-T004										
AESLV800-A-315-T004										
AESLV800-A-220-T004C	Cabinet: 1300*750*465									3
AESLV800-A-250-T004C										
AESLV800-A-280-T004C										
AESLV800-A-315-T004C										
AESLV800-A-355-T004	950	800	1000	970	950	500	515	315	13	2
AESLV800-A-400-T004										
AESLV800-A-455-T004										
AESLV800-A-500-T004										
AESLV800-A-355-T004C	Cabinet: 1500*950*515									3
AESLV800-A-455-T004C										
AESLV800-A-500-T004C										
AESLV800-A-560-T004	1050	900	1040	1010	990	500	515	315	13	2
AESLV800-A-630-T004										
AESLV800-A-560-T004C	Cabinet: 1600*1050*515									3
AESLV800-A-630-T004C										

Keypad



Wiring Diagram



Specification

tem	Specification
Rated voltage /frequency	Three phase 380~440V 50Hz/60Hz
Allowed fluctuation	Voltage: +10% ~ -15%; Frequency: ±5%
Output voltage	Three phase 0~380V
Output frequency	0~400.00Hz
Overload capacity	150% of rated current – 1Min
Control mode	V/F control, V/F control with PG, Vector control, Vector control with PG
LCD display	Six languages for option: Chinese, English, Russian, German, French, Spanish
Starting torque	180% 1Hz (200% , 0Hz in the mode of vector control with PG)
Speed control range	1:100 (1:1000 in the mode of vector control with PG)
Speed control accuracy	±0.2% (±0.02% in the mode of vector control with PG)
Speed response	5Hz(30Hz in the mode of vector control with PG)
Torque control accuracy	±5%
Torque response	20Hz (40Hz in the mode of vector control with PG)
Frequency control range	0.1~400Hz
Frequency accuracy	Digital command: ±0.01% (-10~ +40); Analog command: ±0.1% (10~ 25);
Frequency reference resolution	Digital command: 0.01Hz; Analog command: 0.03Hz / 60Hz
Frequency reference signal	-.10V~+10V; 0~+10V (20KΩ); 4~20mA
Output freq. resolution	0.01Hz
Communication	RS485 interface: 485+, 485- (MODBUS Protocol)
Acc/Dec time	0.01 ~ 6000s
Braking torque	20% (up to 150% for models with inbuilt braking function and external braking resistor)
Voltage/Frequency characteristics	15 kinds of Voltage/Frequency characteristics for option; And user can set V/F characteristics all by themselves.
Protection function	Overvoltage, undervoltage, overload, overheat, stall, grounding fault, charging protection. Etc
Ambient temperature	-.10 ~ +40. Deration above 40
Humidity	20~90%RH, non-condensing
Protection rating	IP20
Cooling mode	Forced air cooling